

Data Sheet – Zero 2000 FIA 4.0 litre Fire Marshal Mechanical (Aluminium Cylinder) System

Zero 2000 - the first environmentally-friendly extinguishant to combat the problem of Halon replacement. In a world of constant change, Lifeline has consistently led the way, and continues to do so.

Zero 2000 is a fully integrated design approach. Together with the specially designed atomising nozzles, the Zero 2000 compound itself has been specially blended to cope with the rigorous demands of motorsport. The nozzle design divides the foam into minute particles, smothering the fire with a fine mist that forms an invisible seal over the target area, cooling and preventing re-ignition. Zero 2000 performed supremely well in engine fire tests, and thus achieved homologation with the **FIA** and full compliance with **RACMSA** and **SCCA** requirements.



In addition to its fire suppression performance **Zero 2000** also has other advantages. It is economic to refill, and of course, is totally **environmentally friendly**, being **non-ozone depleting**, **non-corrosive**, **non-toxic** and **biodegradable**.

The latest generation of International specification **Zero 2000** Systems have been independently tested by the **British Standards Institute** passing the new **FIA** extinguisher tests with flying colours, resulting in homologation approvals for all appropriate groups.

- The choice of world championship winning constructors
- Clean Halon replacement, environmentally acceptable
- Excellent fire knock down and fire out capabilities
- FIA Homologated for all groups
- 4.0 litres of Zero 2000 extinguishant
- Constant discharge in any orientation
- Lightweight and compact
- Highest quality components
- Two year service cycle

For more details contact:

Lifeline Fire and Safety Systems Ltd
Burnsall Road Coventry CV5 6BU

Telephone: +44(0)24 7671 2999

Fascimile: +44(0)24 7671 2998

E-mail: sales@lifeline-fire.co.uk

Specifications

Description: Zero 2000 FIA 4.0 litre Fire Marshal Mechanical (Aluminium Cylinder)

FIA homologation: EX.002.98

Part No: LL102-400-002

Contents: Zero 2000 Foam, 4.0 litres, single chamber

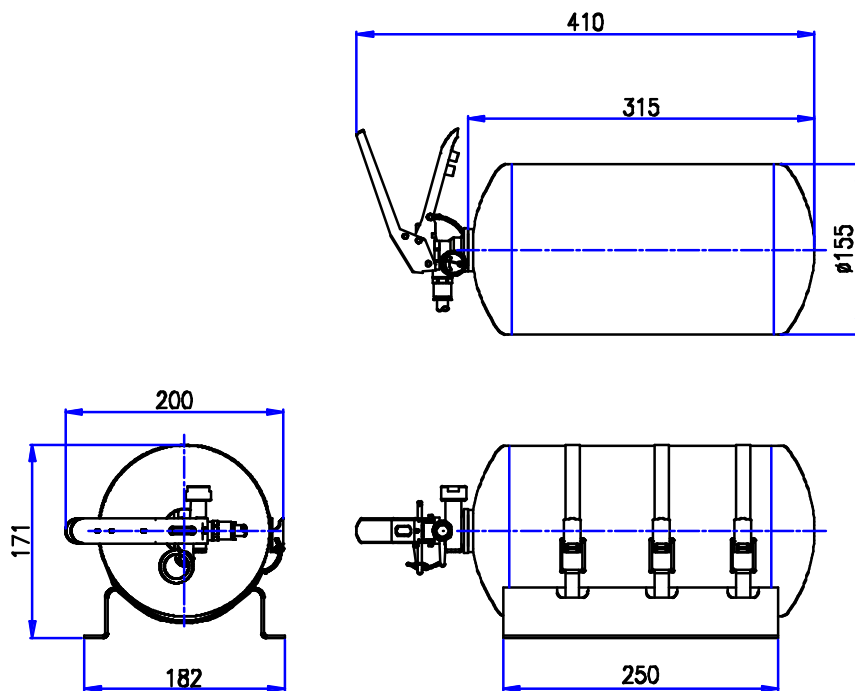
Discharge System: Mechanical, pressurised to 8bar

Cylinder: Aluminium Alloy

Size (mm): 155 dia x 171 x 410 (incl. bracket & discharge heads)

Weights: Cylinder (filled) = 5.1 kg

Operating Temperatures: -15 to +60 degrees C



Kit Contents

1 x 4.0 single chamber cylinder with bracket & straps
 1 x 6ft Cable T Handle c/w nipple
 1 x 12ft Cable T Handle c/w nipple
 4 x Discharge nozzles
 3 x T connectors (push in)

5 x metres Semi-rigid tube
 1 x Decal pack
 1 x Instructions manual

Prices: Please Call



System Schematic Diagram

